

Indoor | Surface | Output 70lm per single spot unit



## Key applications

- ✓ Cabinet & furniture
- ✓ Display case
- ✓ Interior
- ✓ Retail display
- ✓ Shelving display
- ✓ Under cabinet

## Key features

- ✓ Adjustable
- ✓ Diffusion: spoting
- ✓ Dry area
- ✓ Form factor: small
- ✓ High lumen efficacy
- ✓ IP20
- ✓ Lensed
- ✓ Output low: 1-500lm

# TWIGGY Track

## Specification sheet



<b>Dimension</b>	L60/W25/H49.5/Ø23mm (L2.36/W0.98/H1.95/Ø0.91 in)
<b>Chip</b>	Nichia
<b>Beam angle</b>	10°-40°(Adjustable)
<b>Colours</b>	<b>h-line</b> 3000K/4000K
<b>Bin/Step</b>	<b>h-line</b> 3-step MacAdam ellipse
<b>CRI</b>	≥90
<b>Lifetime</b>	50,000 hours @ 25°C (50,000 hours @ 77°F)
<b>Operating temp</b>	T <sub>a</sub> = -20 to 35°C (T <sub>c</sub> max = 60°C) T <sub>a</sub> = - 4 to 95°F (T <sub>c</sub> max = 140 ° F)
<b>IP rating</b>	IP20
<b>Finish</b>	Black Anodized
<b>Cover/lens</b>	10°-40°(Adjustable)
<b>Mounting</b>	Rail Bracket
<b>Power feed</b>	Hardwire tails
<b>Control</b>	Constant Voltage



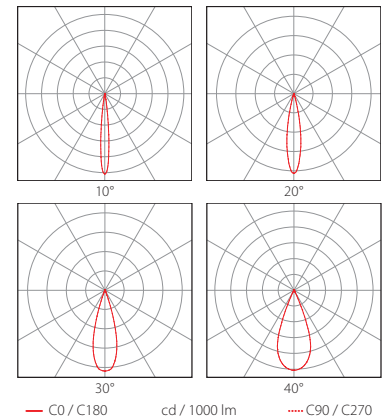
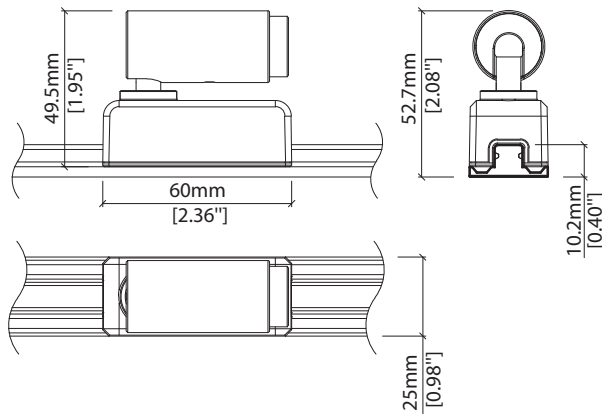
### PERFORMANCE DATA @ 3000K

Power consumption	Supply voltage	Supply current
2W	24V DC	0.083A

### Adjustable(@40°)

CRI R9 Rf Rg

**h-line** 100lm  
50lm/W



Data derived from independent UKAS/IESNA LM-79-08 accredited testing of production samples.

### FIXTURE

Model	Finish	Cover	Grade	Colour (CCT)	IP	Cable Length	Power Feed	Lens	Control Type	Input		
TWIGGY Track	OETT	Black Anodised BA	No Cover X	h h	3000K 30 4000K 40	IP20 20	1000mm (39.4in) 1000	Single no sheath tail	S00X	Adjustable (10-40°) A4	No Controller 5	DC 24V g

### Code Example:

OETT	-	BA	-	X	-	h	-	30	-	20	-	1000	-	S00X	-	A4	-	5	-	g
TWIGGY Track		Black Anodised		No Cover		h		3000K		IP20		1000mm (39.4in)		Single no sheath tail		Adjustable (10-40°)		No Controller		DC 24V

### ACCESSORIES

#### Mounting Accessories

KKTR-01-0600	TWIGGY Track Rail Length 600mm
KKTR-01-0900	TWIGGY Track Rail Length 900mm
KKTR-01-1200	TWIGGY Track Rail Length 1200mm

\* Refer to **Mounting accessories** on **Accessories** pages

#### DC Socket

KKJB-10	TWIGGY Track DC Socket
---------	------------------------

\* Refer to **DC Socket** on **Accessories** pages

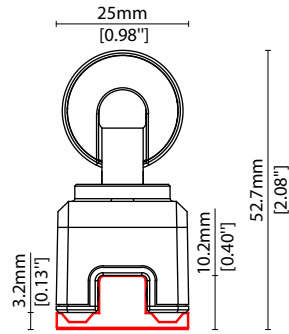
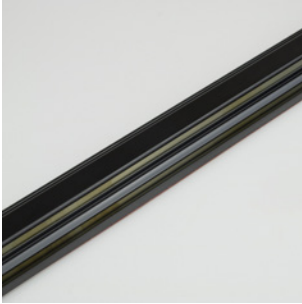
### LED ENGINE VARIANTS (LED STRIP TYPE)

Luminaire	Output	Lumen/module	W	Spec Doc	Dimension
TWIGGY Track	Low	70	2	TWIGGY Track	L60/W25/H49.5/Ø23mm (L2.36/W0.98/H1.95/Ø0.91in)

\* Performance data: h-line, Adjustable @ 40°, 3000K

### MOUNTING ACCESSORIES

Note: Accessories are to be ordered separately with corresponding code shown below.

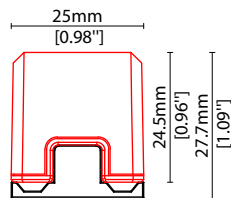


TWIGGY 24V Track Rail  
Black finish

Track available in 3 length options,  
600mm/900mm/1200mm.

KKTR-01-0600	600mm (23.6in)
KKTR-01-0900	900mm (35.4in)
KKTR-01-1200	1200mm (47.2in)

### POWER FEED



KKJB-10 DC Power feed socket  
24.5x25mm (0.96x0.98in)  
Black finish